

BX 1621-RT Hanchurch - Heavy Duty - Anti-Ram



Outside Buckingham Palace, London.

Heavy duty cast iron bollard.

Has an integral galvanized mild steel tubular core for added impact resistance when cast in ductile iron. Suitable for use with Poletech sockets.



Short durable version available Hanchurch Short **BX 1670-RT**.

- Weight: BX 1621-RT 69kg, **BX 1670-RT** 44kg



"10 years outside Buckingham Palace - Pristine condition"



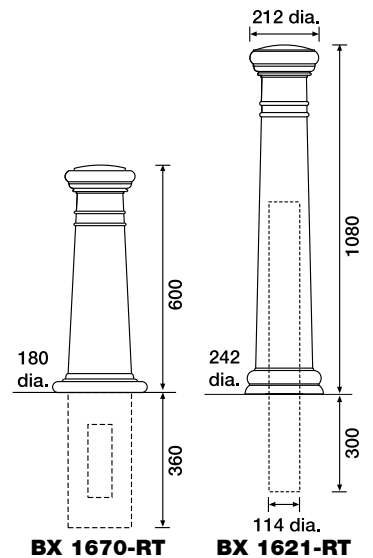
Glossop Road, High Peak.



Shown with reflective tape banding.



BX 1670-RT Hanchurch Short at Ravensdale Avenue, Mansfield.



BX 1670-RT

BX 1621-RT